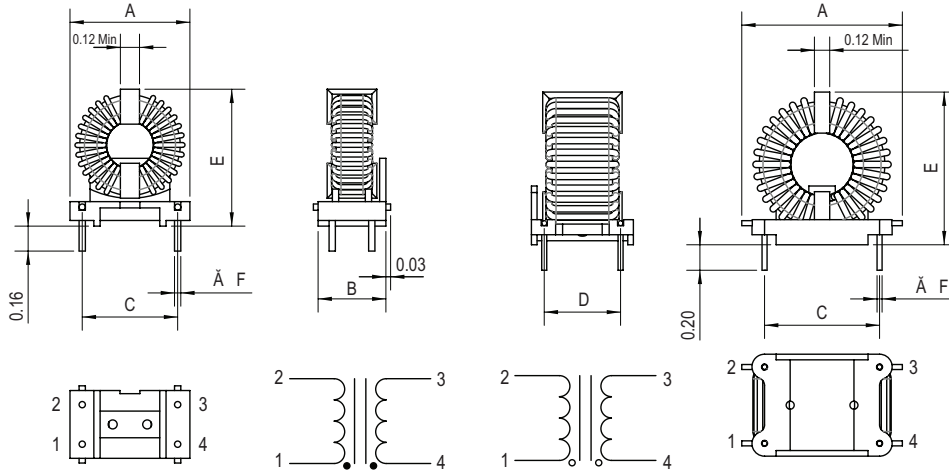


High Current Toroidal Chokes Common Mode

Vertical PCB Mounting



HCTC-4-1.7 to HCTC-1-4.8

HCTC-10-2.4 to HCTC-1-20

Features

- Solid base for stable vertical mounting
- Fixed pin spacing for easy PCB insertion
- Wide range of inductance and current
- Single layer wound coils
- High current capacity
- Excellent EMI suppression

Notes

1. Dimensions are in inches
2. Max. current based on 35°C temperature rise. Typ
3. Operating temperature range of -55 to +105°C
4. Dielectric Strength: 1,500V RMS
5. UL 94V-0 rated coil mounting header

Applications

- EMI/RFI filtering for SMPS, LCD Panels, Computers, Monitors and DC-DC Converters

Industries

- Industrial
- Electronic
- Telecom



Electro-Mechanical Characteristics

Part No.	L (mH) Min. @ 1KHz	L (uH) Typical Leakage	DCR (Ω) Max.	I (A) Max. ⁽²⁾	Dimension A Max.	Dimension B ±0.010	Dimension C ±0.015	Dimension D ±0.015	Dimension E Max.	Dimension F Max.
HCTC-4-1.7	4.0	27	0.173	1.70	0.76	0.455 max	0.600	0.250	0.900	0.040
HCTC-2.5-2.4	2.5	17	0.090	2.40	0.76	0.455 max	0.600	0.250	0.900	0.040
HCTC-1-4.8	1.0	7.0	0.022	4.80	0.76	0.455 max	0.600	0.250	0.900	0.040
HCTC-10-2.4	10	45	0.170	2.40	1.20	0.606	0.800	0.400	1.200	0.050
HCTC-7-2.8	7.0	32	0.120	2.80	1.20	0.606	0.800	0.400	1.200	0.050
HCTC-5-3.7	5.0	23	0.070	3.70	1.20	0.606	0.800	0.400	1.200	0.050
HCTC-2-6.6	2.0	9.0	0.022	6.60	1.20	0.606	0.800	0.400	1.200	0.050
HCTC-1-10	1.0	4.5	0.010	10.0	1.20	0.606	0.800	0.400	1.200	0.050
HCTC-30-2.3	30	136	0.330	2.30	1.35	0.815	0.900	0.600	1.450	0.050
HCTC-20-2.9	20	95	0.210	2.90	1.35	0.815	0.900	0.600	1.450	0.050
HCTC-12-4	12	57	0.110	4.00	1.35	0.815	0.900	0.600	1.450	0.050
HCTC-8-5.6	8.0	38	0.055	5.60	1.35	0.815	0.900	0.600	1.450	0.050
HCTC-5-8.9	5.0	25	0.022	8.90	1.45	0.815	0.900	0.600	1.500	0.043
HCTC-2.5-12.5	2.5	12.5	0.011	12.5	1.45	0.815	0.900	0.600	1.500	0.053
HCTC-1.2-16	1.2	6.0	0.006	16.0	1.50	0.815	0.900	0.600	1.530	0.060
HCTC-50-2.3	50	230	0.450	2.30	1.55	0.815	0.900	0.600	1.650	0.050
HCTC-36-2.9	36	167	0.300	2.90	1.55	0.815	0.900	0.600	1.650	0.050
HCTC-7.3-9.3	7.3	30.5	0.032	9.30	1.65	0.815	0.900	0.600	1.650	0.043
HCTC-4-14.5	4.0	16	0.012	14.5	1.70	0.917	1.200	0.700	1.650	0.060
HCTC-2.4-17	2.4	9.6	0.008	17.0	1.70	0.917	1.200	0.700	1.650	0.067
HCTC-1-20	1.0	4.0	0.007	20.0	1.70	0.917	1.200	0.700	1.650	0.067

Custom versions available upon request.

© 2020 Signal Transformer Inc. Specifications subject to change without notice. 01.20



128 Atlantic Avenue, Lynbrook, NY 11563
Toll Free 866-239-5777 | Tel 516-239-5777 | Fax 516-239-7208
sales@signaltransformer.com | techhelp@signaltransformer.com

belfuse.com/signal