

Trumeter Remote Monitoring for Plug & Play Connectivity





Monitor Everything in One Place

Trumeter Cloud enables you to monitor the status of your systems anywhere, any time. Our easy-to-use configuration software allows you to set alarm thresholds for timely alerts before problems arise. Plus, your data is securely stored in the Cloud and can be exported at any time to inform your business decisions.

- Customizable alarm conditions and thresholds for notifications
- Unlimited email notifications, plus options to add text messages
- Exportable data stored securely in the Cloud



The Trumeter Cloud Dashboard

- Monitor multiple APMs, multiple Gateways and multiple Vista Touch Meters
- See real time gauge readings and data visualization
- Monitor multiple Advanced Panel Meters
- Get alerts based on customizable alarm conditions
- Export your data in multiple formats

status	Name	Last Update Time	Txt
ON	APM 1	01/07/2023,23:10:42	0
ON	APM 2	01/07/2023,23:10:42	0
ALARM	APM 3	01/07/2023,23:10:42	0
ON	APM 4	01/07/2023,23:10:54	4
ON	Gateway	01/07/2023,23:10:42	0

1 - 5 of 5 | Items per page: 10

Connect with Vista Touch Meters

The revolutionary Vista Touch panel meters have a bright, full-color HD display that's brilliantly easy to use. The graphical display offers full configurability with multiple, vibrant pre-loaded gauge options. All with an industry standard mounting to make it easy to incorporate into your systems.



HD Color Display

Full-color graphics display with dark/light mode and pre-set gauge designs to match your application.



Easy Programming

Fully configurable from the front panel with an intuitive touchscreen interface.



IoT Ready

Out-of-the-box remote monitoring on mobile and desktop with data recording and email and SMS alerts.



Built-In Connectivity

Modbus® RTU and TCP, plus 2 relay and 1 analog outputs, and 2 digital inputs.

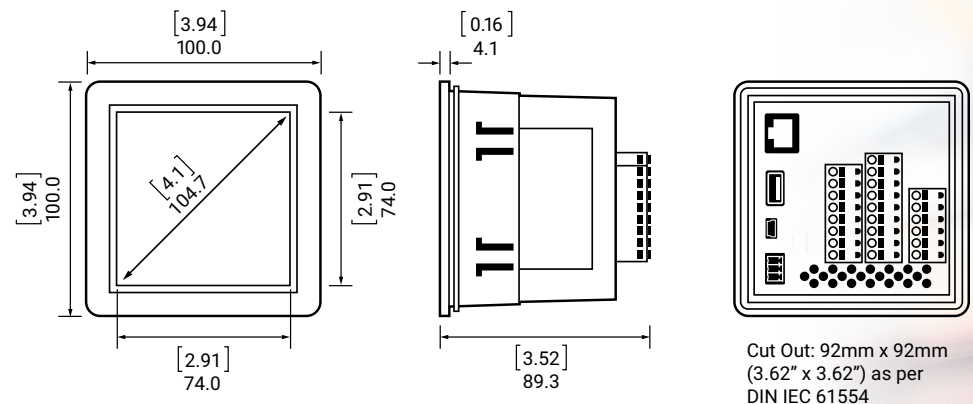


Vista Touch: Flow

The Vista Touch Flow works seamlessly with a wide range of industrial flow sensors to provide the most effective flow rate monitoring and visualization.

Vista Touch: Power

The Vista Touch Power Meter provides optimal power monitoring for single, split and 3 phase networks.



Vista Touch Meters Specifications

Model	Input Type	Operating Range	Accuracy	IoT Plug & Play	Platform	Touchscreen	Communication	Mass Storage	Relay Output	Excitation Voltage	Analog Output	Power Supply Options
Vista Touch Flow	Voltage	0 to +10V DC	0.1% of full scale	Yes	Trumeter Cloud	Yes	RS485 TCP-IP (Ethernet)	USB	2 x Form C relay 277V AC / 5A Max 30V DC / 5A Max	24V DC	4 - 20 mA	High Voltage: 100-277V AC 50/60Hz 10W Low Voltage: 12-24V AC/DC 50/60Hz 10W
	Current	-50mA to +50mA	0.1% of full scale									
	Pulse/Rate	0 to 10KHz Logic 0 = 0 to 0.6V DC Logic 1 = 2.5V to 24V DC	100 PPM									
Vista Touch Power	Voltage	L-L 0 - 600VAC L-N 10 - 300VAC	1% of full scale	Yes	Trumeter Cloud	Yes	RS485 TCP-IP (Ethernet)	USB	2 x Form C relay 277V AC / 5A Max 30V DC / 5A Max	N/A	4 - 20 mA	High Voltage: 100-277V AC 50/60Hz 10W Low Voltage: 12-24V AC/DC 50/60Hz 10W
	Current	0 - 5A Direct, 1:1 to 1000:1 with CT										
	Potential Transformer	1:1 to 1000:1										



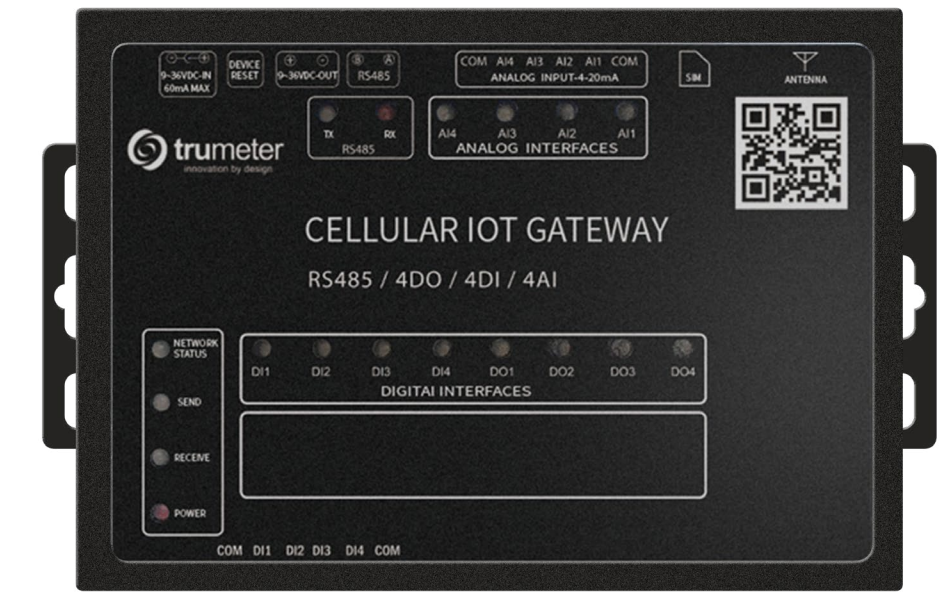
Connect any APM with the IoT Gateway

The IoT Gateway with Trumeter Cloud provides a remote monitoring solution for your APMs, with a powerful feature set in a cost effective package.

For use with the entire APM range, the IoT Gateway instantly gives you the ability to remotely monitor readings and status of your systems, as well as real-time alerts via email and SMS. The IoT Gateway is plug and play out of the box and includes free access forever to the Trumeter Cloud dashboard.

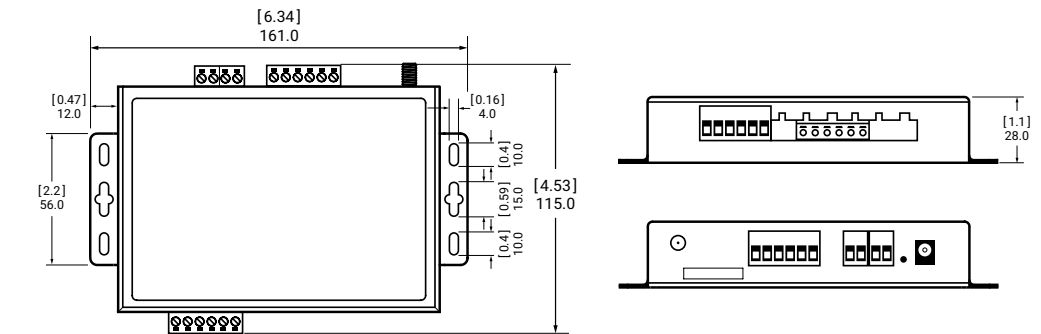


All APMs are Cloud Ready!
The IoT Gateway connects up to 4 APMs to the cloud with an easy 20-minute setup



IOT-GATEWAY-ETH – IoT Gateway with Ethernet connection for APM with Trumeter Cloud dashboard access

IOT-GATEWAY-4G – IoT Gateway with 4G for APM with Trumeter Cloud dashboard access (EU/UK only)



IoT Gateway Specifications

Model	Input Type	Accuracy	IoT Plug & Play	Platform	Antenna	Total APMs to Monitor	Data for Monitoring (SIM)	Power Supply Options
IOT-GATEWAY-ETH	4 Analog (4-20mA) 4 Digital (0-50V DC) Voltage High > 2V DC Voltage Low < 2V DC	10/100 Ethernet RJ45	Yes	Trumeter Cloud	N/A	1-4	N/A	Voltage 9-36V (Power Adapter)
								100-240V AC, 50/60Hz
IOT-GATEWAY-4G <i>(UK/EU Only)</i>	4 Analog (4-20mA) 4 Digital (0-50V DC) Voltage High > 2V DC Voltage Low < 2V DC	10/100 Ethernet RJ45	Yes	Trumeter Cloud	UK/EU 4G (supplied with antenna)	1-4	24 Months Included	Voltage 9-36V (Power Adapter)
								100-240V AC, 50/60Hz

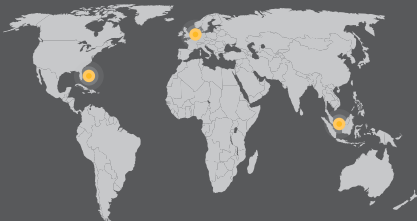
Trumeter Cloud Plans



Anyone with an Advanced Panel Meter and Gateway or Vista Touch gets access to Trumeter Cloud for free! But you'll likely want to upgrade to one of our other plans to take advantage of monitoring multiple devices with increased data storage and communication capabilities.

Standard	Advanced	Pro Popular	Expert
Monitor a stable process with one APM	Add instant alerts for critical processes	Analyze annual data for process improvement	Scale up with virtually unlimited features
FREE	\$20/month \$220/year with annual plan	\$45/month \$495/year with annual plan	\$100/month \$1,100/year with annual plan
<ul style="list-style-type: none"> ✓ 1 Ethernet Device* ✓ 1 User ✓ 15 Min. Data Refresh ✓ 10 Days Data Storage ✓ Unlimited Emails ✗ Texts ✗ International Texts 	<ul style="list-style-type: none"> ✓ 5 Ethernet Devices* ✓ 3 Users ✓ 1 Min. Data Refresh ✓ 45 Days Data Storage ✓ Unlimited Emails ✓ 30 Texts / Month ✗ International Texts 	<ul style="list-style-type: none"> ✓ 10 Ethernet Devices* ✓ 5 Users ✓ 30 Sec. Data Refresh ✓ 1 Year Data Storage ✓ Unlimited Emails ✓ 100 Texts / Month ✓ International Texts 	<ul style="list-style-type: none"> ✓ 100 Ethernet Devices* ✓ 100 Users ✓ 15 Sec. Data Refresh ✓ Unlimited Data Storage ✓ Unlimited Emails ✓ Unlimited Texts ✓ International Texts

* Ethernet Device includes IoT Gateway or ethernet enabled APM or Vista Touch.
 Additional Ethernet Devices: \$3 / month.
 Additional Cellular Gateways: \$5 / month.



Trumeter (The Americas)
 6601 Lyons Road
 Suite H-7
 Coconut Creek, FL 33073
 USA
 Tel: +1 954 725 6699
 Email: sales.usa@trumeter.com

Trumeter (Europe)
 Pilot Mill
 Alfred Street
 Bury
 BL9 9JR
 Tel: +44 161 674 0960
 Email: sales.uk@trumeter.com

Innovative Design Technologies Sdn. Bhd
 Lot 5881, Lorong Iks Bukit Minyak 1
 Taman Perindustrian Iks, 14000 Bukit Tengah
 Penang, Malaysia
 Web: www.idtworld.com
 Tel: + 604 5015700
 Email: sales.my@idtworld.com

www.trumeter.com

