



# HIGH-SPEED HIGH-DENSITY JUMPER

(1.27 mm) .050" PITCH • SEAC SERIES

14  
Gbps



## SEAC-N

**Mates:**  
SE AFC, SE AF,  
SE AF-RA, SE AFF

## SEAC with latch posts

**Mates:**  
SE AFC, SE AF-LP,  
SE AF-RA-LP

### SPECIFICATIONS

**Cable:**  
36 AWG 50 Ω coax, or  
32 AWG 100 Ω twinax  
**Signal Routing:**  
50 Ω Single-Ended, or  
100 Ω Differential Pair  
**Plating:**  
Au over 50 μ" (1.27 μm) Ni  
**Operating Temp Range:**  
-40 °C to +125 °C (coax)  
-25 °C to +105 °C (twinax)

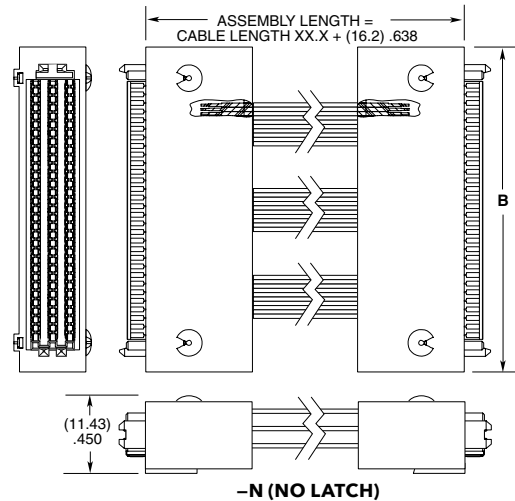


SEAC	NO. OF POSITIONS PER ROW	NO. OF ROWS	CABLE LENGTH	TU	TU	CABLE TYPE	LATCH OPTION
	-020 (-04, -06, -08 & -10 row only)	-04, -06, -08, -10	- "XX.X" = Cable Length in Inches (152.4 mm) 06.0" minimum			Leave Blank for 36 AWG 50 Ω coax  -2 = 32 AWG 100 Ω twinax	Leave Blank for latch post  -N = No Latch
	-030 (-04, -06 & -08 row only)						
	-040 (-04 & -06 row only)						
	-050 (-04 row only)						

### SIGNAL ROUTING

Product has some lines dedicated to ground.  
For single-ended and differential pair signal/ground assignments see signal routing information on the assembly print at the web address above.  
Design your High-Speed Cable with Samtec's High-Speed Cable Solutionator® at [www.samtec.com/hdr](http://www.samtec.com/hdr)

POSITIONS PER ROW	A	B	C
-020	(30.38) 1.196	(33.53) 1.320	(48.26) 1.900
-030	(43.08) 1.696	(46.23) 1.820	(60.96) 2.400
-040	(55.78) 2.196	(58.93) 2.320	(73.66) 2.900
-050	(68.48) 2.696	(71.63) 2.820	(86.36) 3.400



### OTHER SOLUTIONS

Other end options  
Mixed SEAC end types  
300 positions or greater

**Notes:**  
Mixed latch styles not available

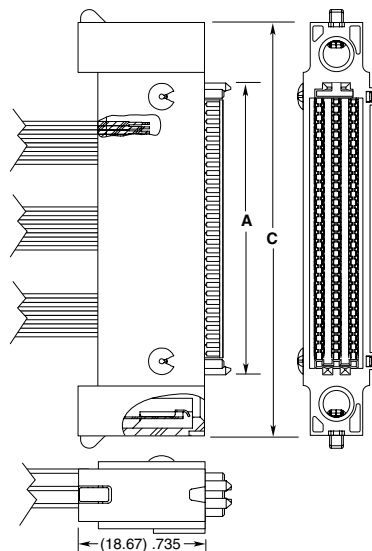
Cable lengths longer than 40.00" (1 meter) are not supported with S.I. test data.

Design your full cable assembly with Samtec's High-Speed Cable Builder at [www.samtec.com/cablebuilder](http://www.samtec.com/cablebuilder)

PCIe® 2.0 & 3.0 capable

PCI-SIG®, PCI Express® and the PCIe® design marks are registered trademarks and/or service marks of PCI-SIG.

Some lengths, styles and options are non-standard, non-returnable.



LATCH POST

### SEARAY™ .8 mm CABLE ASSEMBLY

(0.80 mm) .0315" Pitch High-Speed Cable in 8 to 10 rows that mates with the SEAM8/SEAF8 Series.

For more information on the ESCA Series, visit [samtec.com?ESCA](http://samtec.com?ESCA)

